

Aspheric

Baader-No.	¹ FL (mm)	Eyepiece Type	Barrel (in.)	² E / G	³ AF	⁴ G	⁵ ER (mm)	Field Stop (mm)	⁷ Eyepiece Dimensions (mm)						Weight (g/lb/oz)
									A	B	C	D	E	F	
2454631	31	Aspheric	2"	6/4	72°	yes	17	38	76,7	-	27,5	59,5	0	-	356
2454636	36	Aspheric	2"	6/4	72°	yes	19	45	84,7	-	27,5	59,5	0	-	373

Baader-No.	¹ FL (mm)	Eyepiece Type	Barrel (in.)	² E / G	³ AF	⁴ G	⁵ ER (mm)	Field Stop (mm)	⁷ Eyepiece Dimensions (mm)						Weight (g/lb/oz)
									A	B	C	D	E	F	
2454631	31	Aspheric	1.25"	6/4	72°	yes	17	30	92,2	23,9	-	59,5	-	15,5	365
2454636	36	Aspheric	1.25"	6/4	72°	yes	19	30	100,2	23,9	-	59,5	-	15,5	382

Table Notes

¹FL: Focal Length

²E / G: # Lens Elements / # Groups

³AF: Apparent Field of View

⁴G: Parfocal

⁵ER: Eye Relief

⁷Eyepiece Dimensions: see diagram

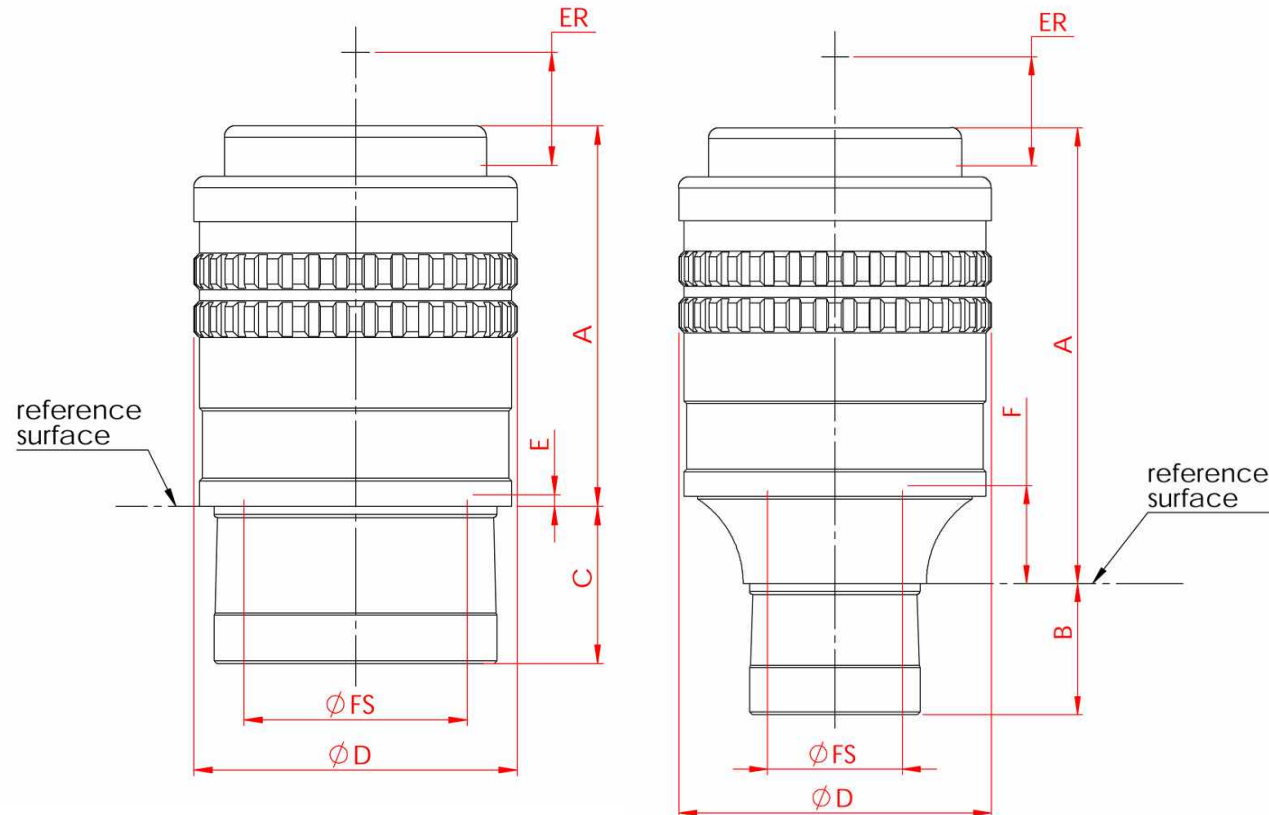
A: Height of barrel above reference surface

B: Height of 1 1/4" barrel

C: Height of 2" barrel

D: Outer Diameter

E/F: Approx. location of field stop



Aspheric